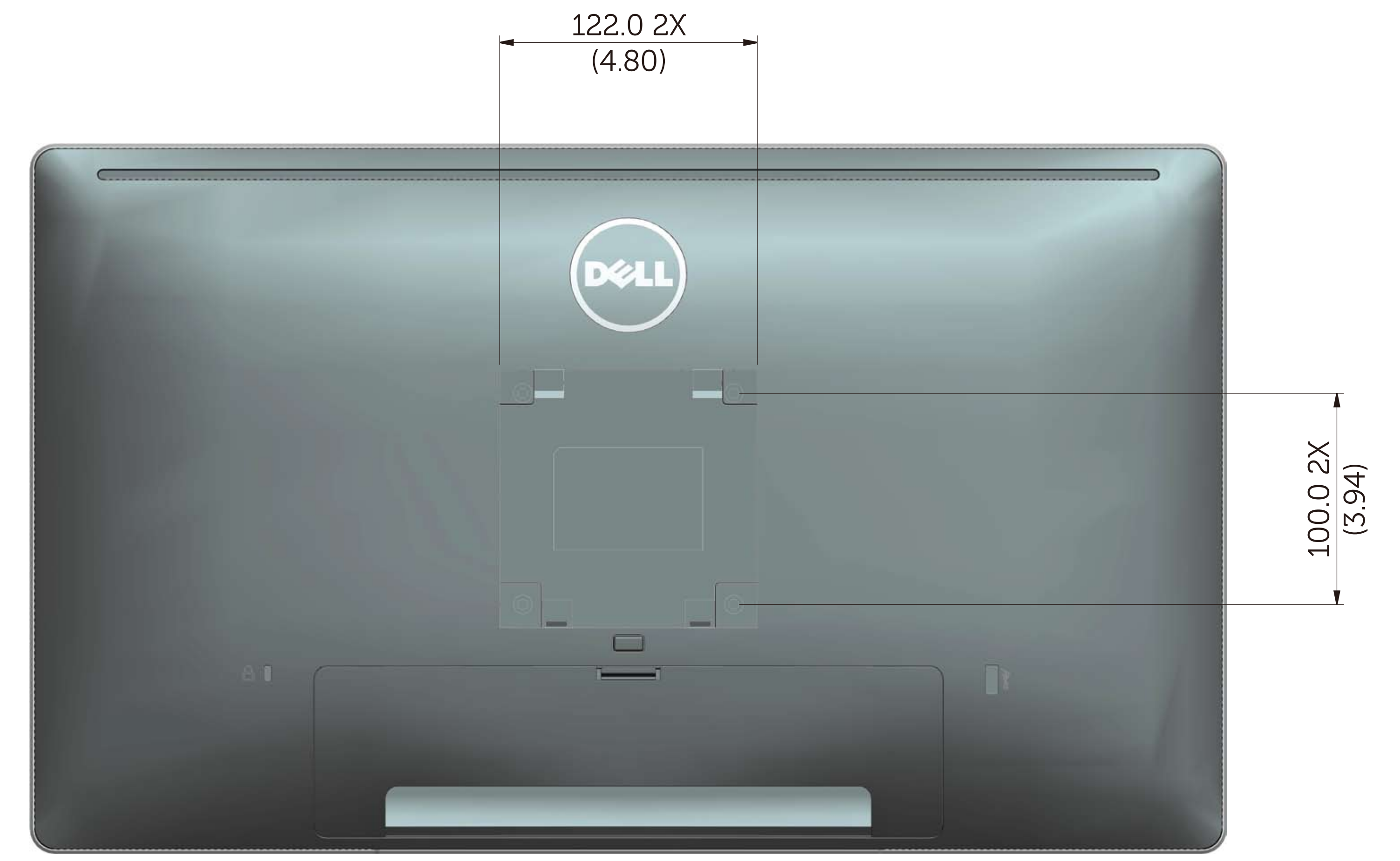
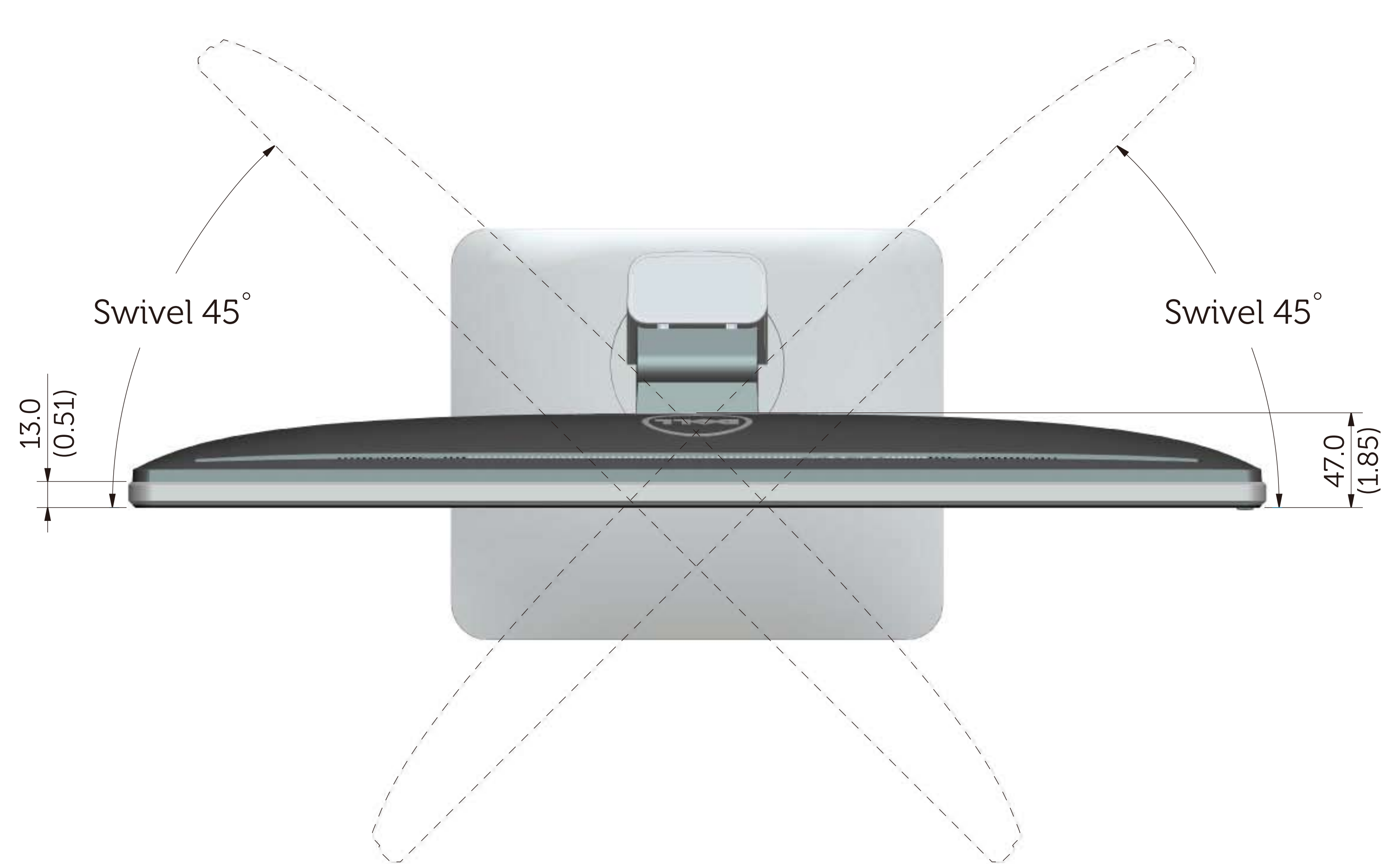


# P2416D Outline Dimension

Norminal Dimensions  
Unit: mm(inch)



Back View of Monitor without stand

